



GreenMongrel™

Garden Bed - Tiered

www.plasticforests.com.au

Assembly of a Tiered GreenMongrel™ Garden Bed is quick and easy!

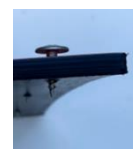
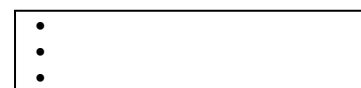
Materials Required:

- GreenMongrel™ Garden Bed - Tiered
- Screws (included- 3 screws for 20cm, 4 for 30cm, 5 for 40cm & 7 for 60cm high)
- Hammer
- Phillip's head screwdriver or cordless drill



Instructions:

- Unroll the plastic strips and leave them in the sun for several hours or until pliable. Alternatively, carefully immerse the rolls in a bucket of hot water to increase flexibility.
- FIRST CIRCLE: Lay the plastic strip on a firm surface.
- Space the screws evenly from top to bottom, approximately 25mm from the end, top and bottom edges (as shown for 20cm high).
- Hammer the screws briefly to make a 'start' in the plastic, then use a screwdriver to screw all the way through the plastic strip.
- Partially rewind the screws until they are not protruding through the plastic strip.
- Form the plastic strip into a circle, overlapping the edges 6cm (approximately).
- Hold the two layers firmly together and screw the screw through both layers with a screwdriver to complete the circle. Then reverse the screws slightly so they not protruding unsafely (if needed).
- REPEAT the process for remaining circle/s.
- Ensure the desired garden bed position is level and clear of grass or roots.
- Place your garden beds into position, with the deepest garden bed in the centre (See diagram).
- Fill with potting mix (see below) and your favourite flowers, herbs or vegetables.



Tips:

- A Garden Bed depth of at least 30cm is recommended for most vegetables. Use the centre bed for taller plants.
- A layer of crushed rock or gravel may be used at the bottom of the garden bed to assist with drainage.
- Choose a location with enough sunlight for the plants you are growing, usually at least 6 hours a day.
- Beware screw points during assembly.

Example – Centre of a 2 Tier Garden Bed (60cm diameter x 30cm high)

*Diameter may be reduced by overlapping the edges more during assembly

Finished Garden Bed size (approx)

2m Plastic Strip length

Height 30cm ↑



↔ 60cm diameter *

4 x 25L potting mix bags to fill (0.09m³)

Volume of Soil Required for Centre Circle (Less soil will be required for outer circle/s)

Circle diameter/width (approx)*	60cm	90cm	125cm	155cm
Height (cm)	20/ 30/ 40/ 60	20/ 30/40 /60	20/ 30/ 40 / 60	20 /30/40 /60
Plastic Strip Length (m)	2m	3m	4m	5m
Volume of soil for 200mm (h)	0.06m ³	0.14m ³	0.25m ³	0.39m ³
Number of 25 litre potting mix bags (approx)	3	6	10	16
Volume of soil for 300mm (h)	0.09m ³	0.21m ³	0.37m ³	0.58m ³
Number of 25 litre potting mix bags (approx)	4	8	15	23
Volume of soil for 400mm (h)	0.12m ³	0.27m ³	0.49m ³	0.78m ³
Number of 25 litre potting mix bags (approx)	5	11	20	31
Volume of soil for 600mm (h)	0.18m ³	0.41m ³	0.74m ³	1.16m ³
Number of 25 litre potting mix bags (approx)	7	17	30	47

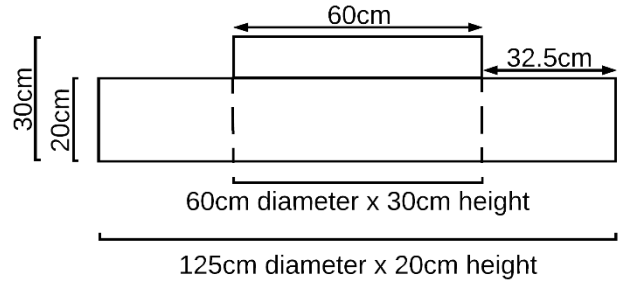
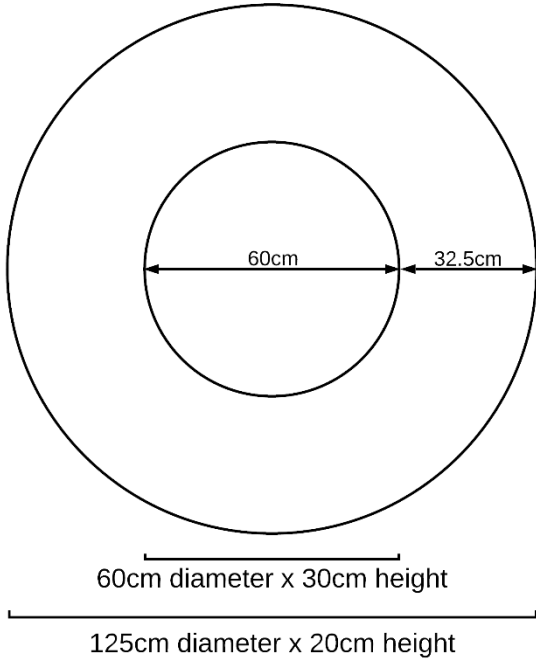


GreenMongrel™

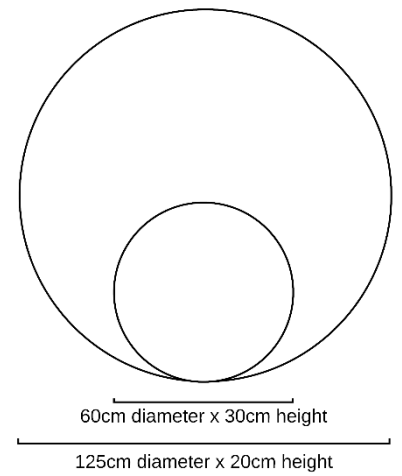
GardenBed - Tiered

www.plasticforests.com.au

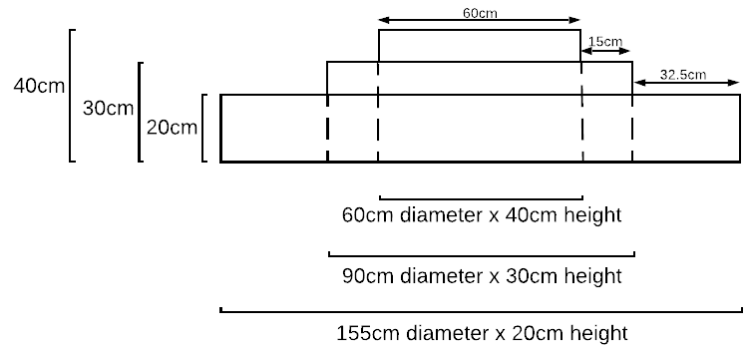
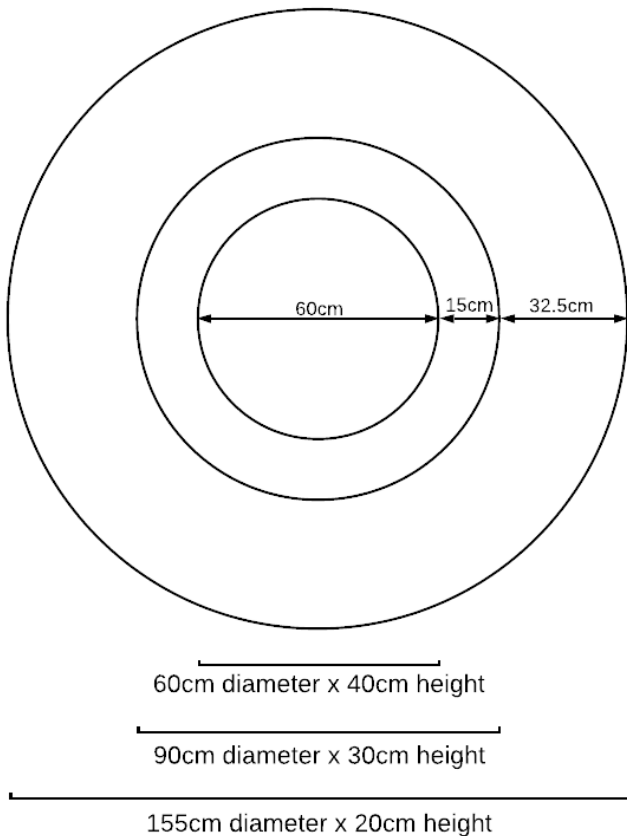
2 Tier Garden Bed



Alternative Design



3 Tier Garden Bed



Alternative Design

